

Four-Stage Reverse Osmosis

Stage 1

Sediment Cartridge removes sand, silt, rust and scale.

Stage 2

Carbon Cartridge removes volatile organic chemical contaminants.

Stage 3

Thin film composite reverse osmosis membrane removes inorganic contaminants, metal and salts to 1800 TDS.

Stage 4

Post carbon G.A.C cartridge polishes purified water.



Universal Filters

Replacement filters are readily available from us and other sources.

Thin Film Composite

Reverse Osmosis Membrane effective to 1800 ppm. TDS. Fast recovery - 25 Gal. / Day!

Proven Reliability and Durability

THOUSANDS in service in western United States.

Automatic Shut Off Conserves water by automatically shutting down when storage tank is full.

Chrome Sink mounted, dual action faucet included. (Designer colors are available)

Pre-tested and Inspected
All of our units before leaving, are inspected to be free of leaks and defects before installation.

High Flow Plumbing
3/8" tubing for fast flow from storage tank.

Locally Manufactured by Water Tec of Tucson Inc. From only the highest quality components at our facility in TUCSON, ARIZONA.

Over 45 Year Reputation
Of immaculate customer service satisfaction, integrity and quality!

**MADE IN
THE U.S.A.**



Providing service after the sale since 1967.



Specifications

| Material | % Rejection | Material | % Rejection | <p>Removes over 90% of Sodium from Tap Water</p> <p>* Ideal for low sodium diets *</p> <p>Also removes</p> <ul style="list-style-type: none"> * Benzene * EDB * Trichloroethane * TCE * DBCP * THM's * Dichloropropane * Dichloroethylene |
|-----------|-------------|---------------|-------------|---|
| Sodium | 90-93% | Lead | 96-98% | |
| Calcium | 94-97% | Chloride | 87-93% | |
| Magnesium | 96-98% | Bicarbonate | 90-95% | |
| Potassium | 87-94% | Nitrate | 60-75% | |
| Iron | 95-98% | Fluoride | 87-89% | |
| Manganese | 95-98% | Silicate | 85-90% | |
| Aluminum | 98-99% | Phosphate | 98-99% | |
| Ammonium | 98-99% | Chromate | 86-92% | |
| Copper | 98-99% | Cyanide | 86-92% | |
| Nickel | 98-99% | Sulfite | 96-98% | |
| Zinc | 98-99% | Thiosulfate | 96-99% | |
| Strontium | 98-99% | Ferro cyanide | 98-99% | |
| Cadmium | 96-98% | Bromide | 87-93% | |
| Silver | 93-98% | Borate | 30-50% | |
| Mercury | 96-98% | Sulfate | 98-99% | |
| Barium | 96-98% | Arsenic | 94-96% | |
| Chromium | 96-99% | Selenium | 94-96% | |

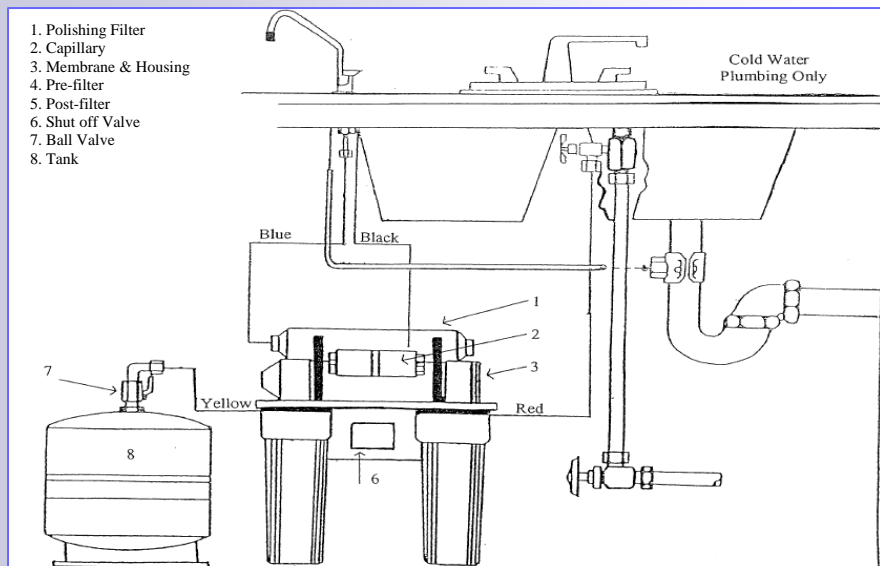
System Options and Up-Grades

* Hook up line to refrigerator - automatic ice maker

* Designer faucets styles and finishes available.

* 50-150 Gallon per day Thin Film Composite R.O Membrane

* Higher capacity pressurized water storage tanks



Authorized Distributor: