

# CWS-LP Water Softener

## The Clack Water Specialist Control (WS1/ WS125)

Features a solid state microprocessor with easy access settings. The control valve design provides optimum service and backwash rates along with soft water brine tank refill and a double backwash feature. It also offers a pre-brine refill feature. Designed for use with water softening system and/or water filtration system, systems are fully automatic. Valve body and meter module are molded from glass reinforced Noryl for exceptional strength and durability.

## The CWS Low Profile Brine Cabinet

Features a stylistic design easily accessible integrated safety brine valve, easy access lift-off salt lid with a 200lb salt holding capacity.

## Limited Lifetime Warranty

On pressure tanks and brine tanks, and a full 3 year warranty on parts (Control valve & brine tank internals).

## Locally Manufactured by:

Domestically Manufactured  
From NSF certified components at our facilities in  
Tucson, AZ and Las Vegas NV

## Proven Reliability

THOUSANDS are in service in western United States

## Over 50 Year Reputation

Of immaculate customer service satisfaction, integrity and quality!

## Poly Glass Tanks

Tanks constructed of a high-density polyethylene inner shell, thermal wound with fiberglass. These tanks are completely non-corrosive!



**MADE IN  
USA**



*Providing service after the sale since 1967.*



# Specifications

MODEL	SOFTENING CAPACITY	PRESSURE TANK SIZE	POUNDS OF SALT PER REGEN	GALLONS OF WATER USED PER REGEN*	FLOW RATE
WS-WS1-1035CWS-LP	22,000	10X35	10	35-50*	21

\*Depending on local water conditions

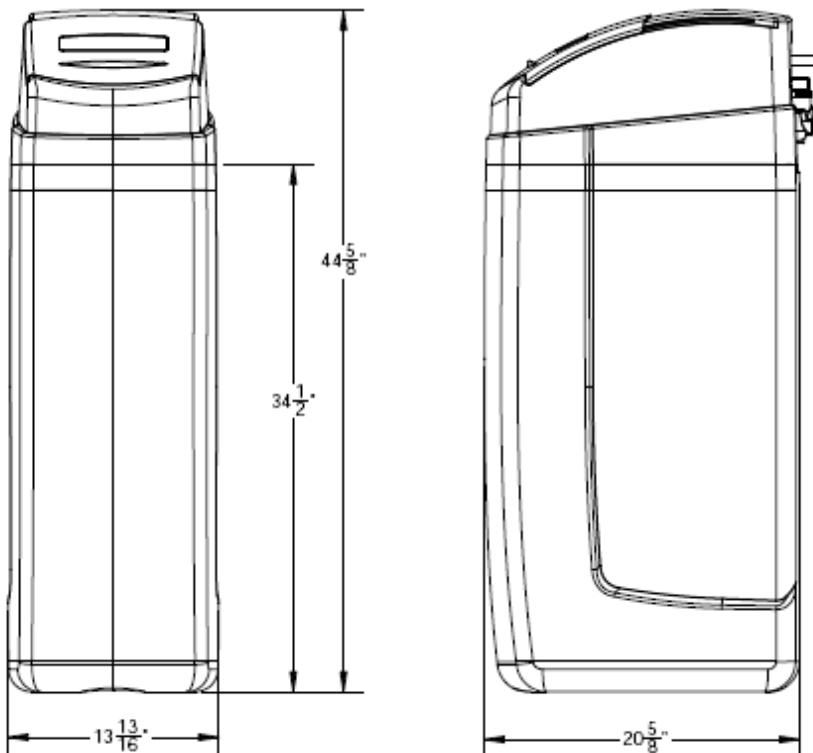
## SYSTEM INCLUDES A BYPASS VALVE

**3/4", 1" or 1.25"/1.5" Piping bossed or Stainless Steel Flex lines  
SOLD SEPARATELY**

**OPERATING PRESSURE IS 40 - 90 PSI @ 34F - 110F**

*The pre-brine refill feature is preferred when using Potassium, this feature assures that there is no standing water in the brine tank so there is no issue with Potassium hardening in the brine tank!*

## Water Specialist - CWS-35 Cabinet



### Customize your Water!!

The addition of the Mixing valve allows for hard water to be mixed with the soft water, this will get rid of the "slippery" feeling associated with softened water and save up to **20%** of water and salt.



**Authorized Distributor:**