

Five-Stage Reverse Osmosis

Stage 1

Sediment Cartridge removes sand, silt, rust and scale.

Stage 2

Carbon Block cartridge removes chlorine and volatile organic chemical contaminants.

Stage 3

Thin film composite reverse osmosis membrane removes inorganic contaminants, heavy metals and salts to 1800 TDS.

Stage 4

Extended contact G.A.C cartridge further removes volatile organic contaminants.

Stage 5

Post Carbon Block cartridge polishes the purified water prior to dispensing.



Universal Filters

Replacement filters are readily available from us and other sources.

Thin Film Composite

Reverse Osmosis Membrane effective to 1800 ppm. TDS. Fast recovery - 50 Gal. / Day!

Proven Reliability and Durability
THOUSANDS in service in western United States.

Automatic Shut Off Conserves water by automatically shutting down when storage tank is full.

Chrome Sink mounted, dual action faucet included. (Designer colors and finishes are available)

All R.O. units are tested and inspected to insure they are free of leaks and defects before leaving our facility.

High Flow Plumbing
3/8" tubing for faster flow to the faucet.

Locally Manufactured by Water Tec of Tucson Inc. From only the highest quality components at our facility in TUCSON, ARIZONA.

Over a 50 Year Reputation
Of immaculate customer service satisfaction, integrity and quality!



Specifications

Material	% Rejection	Material	% Rejection	Removes over 90% of Sodium from Tap Water
Sodium	90-93%	Lead	96-98%	
Calcium	94-97%	Chloride	87-93%	
Magnesium	96-98%	Bicarbonate	90-95%	Also removes * Benzene * EDB * Trichloroethane * TCE * DBCP * THM's * Dichloropropane * Dichloroethylene
Potassium	87-94%	Nitrate	60-75%	
Iron	95-98%	Fluoride	87-89%	
Manganese	95-98%	Silicate	85-90%	
Aluminum	98-99%	Phosphate	98-99%	
Ammonium	98-99%	Chromate	86-92%	
Copper	98-99%	Cyanide	86-92%	
Nickel	98-99%	Sulfite	96-98%	
Zinc	98-99%	Thiosulfate	96-99%	
Strontium	98-99%	Ferro cyanide	98-99%	
Cadmium	96-98%	Bromide	87-93%	
Silver	93-98%	Borate	30-50%	
Mercury	96-98%	Sulfate	98-99%	
Barium	96-98%	Arsenic	94-96%	
Chromium	96-99%	Selenium	94-96%	

System Options and Up-Grades

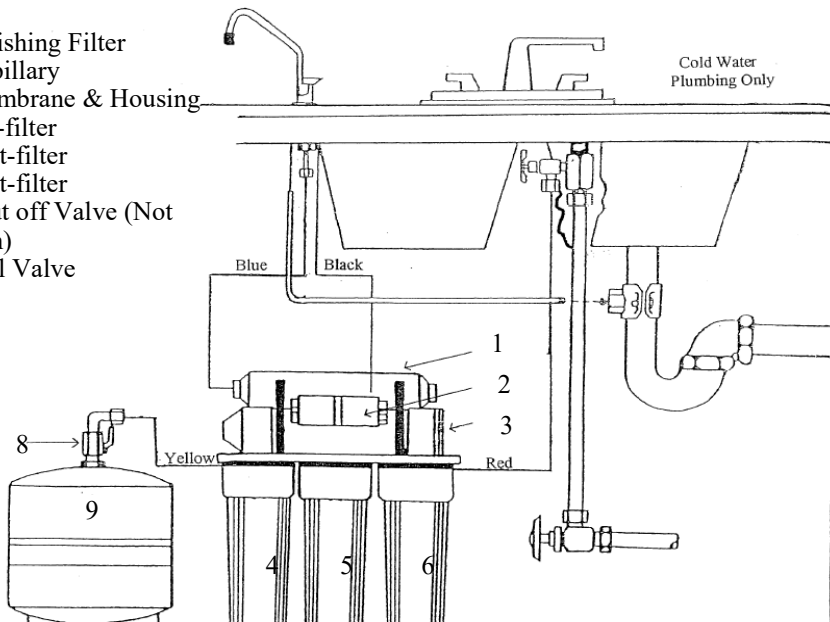
* Hook up line to refrigerator - automatic ice maker

* Designer faucets styles and finishes available.

* 75/100/150 Gallon per day Thin Film Composite R.O Membrane

* Higher capacity pressurized water storage tanks

1. Polishing Filter
2. Capillary
3. Membrane & Housing
4. Pre-filter
5. Post-filter
6. Post-filter
7. Shut off Valve (Not shown)
8. Ball Valve



Reverse Osmosis is the process in which tap water is forced through a semi permeable membrane, leaving unwanted substance behind. These substances are rinsed away, resulting in fresh and clean drinking water. The WTRO-III is a five stage drinking water processor utilizing fibrous sediment filters, high grade Carbon Block filters, a Thin Film Composite R.O. Membrane and Metal Storage tank.

Authorized Distributor: